

PROOF TEST BAGS



With over 30 years of manufacturing experience in the design, production and development of a wide range of testing equipment, Structure-flex has achieved an unrivalled reputation for quality and reliability and can provide products for various load test situations ranging from load testing cranes, winches and davits, platform and structure testing as well as lifeboat testing.

Structure-flex Proof Test Bags are manufactured in sizes ranging from 1 tonne to 100 tonnes.

We also have a range of low head test bags for use in limited height situations, ranging from 1 tonne to 15 tonnes.

All of our test bags are designed with a safe working load ratio of 6:1 and are manufactured from high-strength PVC coated polyester cloth.



- Safety factor of up to 6:1 (based on NEL test rigs capability)
- Single point attachment for ease of use.
- Trunk and pulley assembly for safe emptying of bag.
- All seams are High Frequency welded for superior strength.
- Robust, flexible and simple to use.
- Easily folded for compact storage.
- Low head versions for limited height testing.

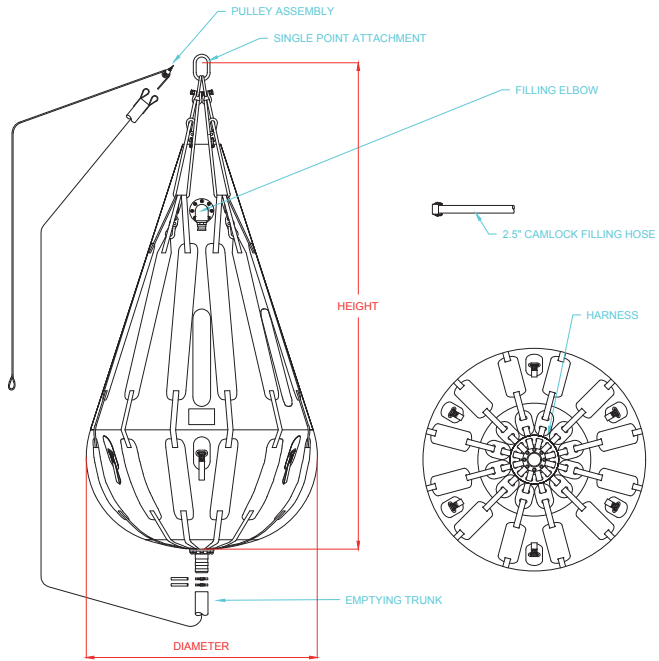


✉: packaging@structure-flex.co.uk
☎: +44 (0)1263 863100 • www.structure-flex.co.uk



 structure-flex®

STANDARD WATER TEST BAGS



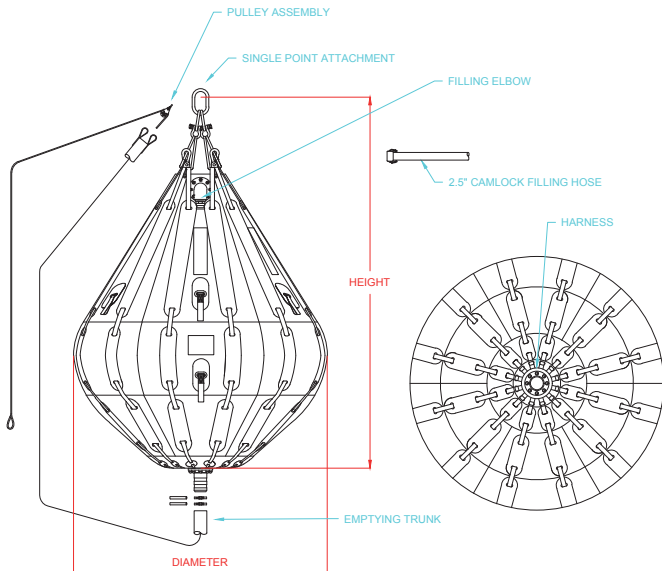
		CAPACITY (kg)	OVERALL HEIGHT (m)	OVERALL DIAMETER (m)
STANDARD WATER TEST BAGS	1	1,000	2.40	1.22
	2	2,000	3.65	1.67
	3	3,000	4.10	2.00
	5	5,000	4.60	2.14
	10	10,000	5.80	2.44
	20	20,000	5.80	3.70
	25	25,000	6.10	3.80
	35	35,000	7.00	4.20
	50	50,000	8.50	4.60
	55	55,000	8.85	4.75
75	75,000	9.60	5.30	
100	100,000	10.7	5.89	



PROOF TEST BAGS

MEASUREMENT TABLES

LOW HEAD WATER TEST BAGS



		CAPACITY (kg)	OVERALL HEIGHT (m)	OVERALL DIAMETER (m)
LOW HEAD WATER TEST BAGS	1	1,000	1.48	1.52
	2	2,000	1.83	1.78
	3	3,000	2.30	2.10
	5	5,000	3.35	2.29
	12	12,000	4.56	2.80
	12.5	12,500	4.70	2.80
	14	14,000	4.94	2.80
	15	15,000	5.10	2.80

Actual Sizes May Vary Slightly